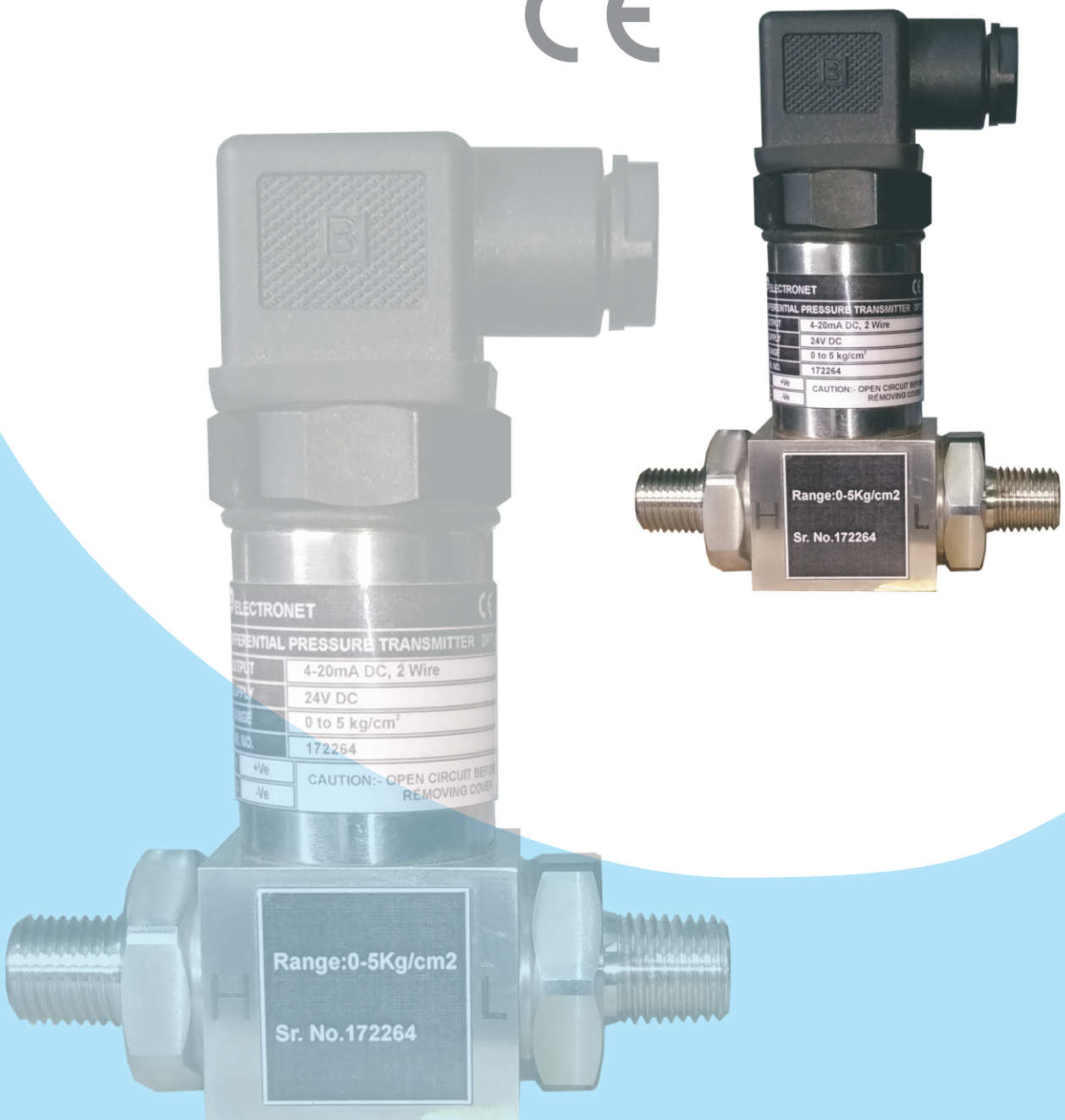




ELECTRONET™

DPT - 22

DIFFERENTIAL PRESSURE TRANSMITTER



FEATURES

- Piezo Resistive Silicon Sensor
- Measuring Range 0.2 to 25 Bar
- Handy & Maintenance Free
- Reliable & Cost Effective
- Ingress Protection IP 65

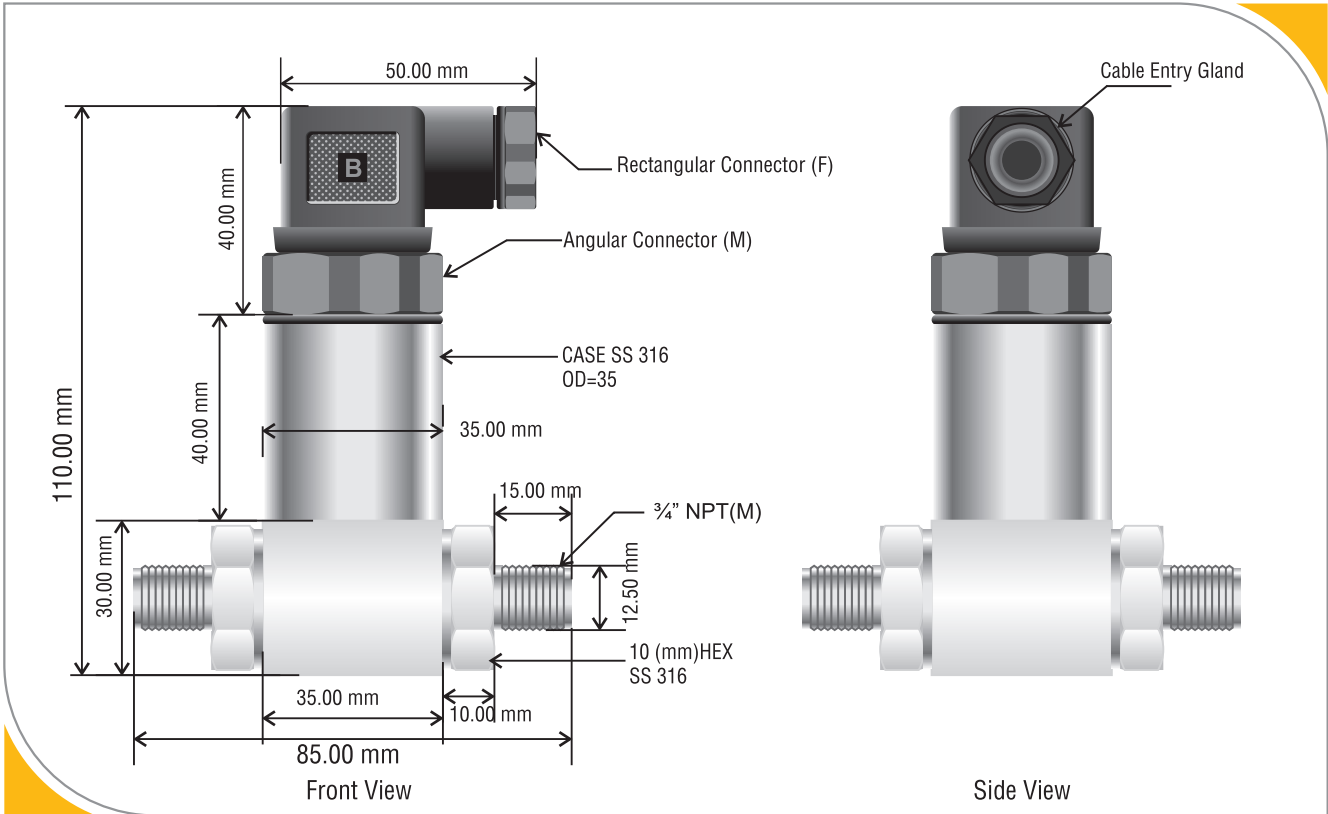


Electronet series DPT-22 are Digital Differential Pressure Transmitter for fast, easy & trouble free operation. These transmitters are designed to cover the majority of industrial applications such as clear Gases & Liquids. Electrical output is in the form of 4–20 mA DC proportional to the Input Pressure. All wetted parts are stainless steel & hermitically welded.

Technical Specifications

Sensor Type	Piezo Resistive
Measuring Range	0.2 to 25 Bar
Output	4 – 20 mA DC, 2 wire
Output Load	Max 600 Ω
Accuracy	$\pm 0.25\%$ F. S.
Over Pressure Safety	1.5 times max. Pressure range
Safe Operating voltage	36VDC
Burst Pressure	2 times max. Pressure range
Process Temperature	-20 to 120 $^{\circ}$ C max
Power Supply	24V DC, External
Response Time	<10 mSec for 10 to 90% output change
Non Linearity	0.2% of Span
Non Repeatability	< 0.1% of Span
Insulation Resistance	>100 M Ω at 100VDC
Material of Construction	All wetted parts SS 316 (Options available on request)
Case	SS 316 with IP 65 Ingress Protection
Mounting	Direct Line mount (Vertical)
Process Connection	Threaded: 1/4" NPT, 2) 1/2" NPT, 3) 1/4" BSP, 4) 1/2" BSP
Span / Zero Adjustments	Provided
Weight	0.6 kg (Approximate)
Operating Conditions	Temperature : -20 to 75 $^{\circ}$ C / Humidity : 5 to 95% non condensing
Certification	CE

Product Drawing & Dimensions



Ordering Information

Sample Order Code : 03C-05B-66J

Parameter	Code	Value	Parameter	Code	Value
03 Measurement Type	03C	DP	66 Process Connection	66G	1/4" NPT (M)
	05 Pressure Range	05B		1.16 psi	66H
05C		5.801 psi		66I	1/4" BSP (M)
05D		29.007 psi		66J	1/2" BSP (M)
05E		100 psi		66R	1/4" NPT (F)
05F		300 psi		66S	1/2" NPT (F)
05X		Other		66T	1/4" BSP (F)
				66U	1/2" BSP (F)
				66X	Other

Note :

- Due to our continuous product revisions, design specification and model numbers are subject to change without notice.
- Accuracy defined at Lab Conditions.
- For other requirement please consult factory.

Applications

Food Industry	Chemical Industry	Atomic Energy	Manufacturing Industry
Automation Industry	Thermal Power Energy	Process Industry	Water Treatment Industry

ELECTRONET EQUIPMENTS PVT. LTD.

Factory Address:

Plot No. 8, (SEZ) Phase 1, Kesurdi MIDC, Khandala, Dist.- Satara Pin: 412 801, Maharashtra, India.

Registered Office:

Plot No. 84, 85, 86, Tiny Industrial Estate, Kondhwa Budruk, Pune-411 048, Maharashtra, India.

+91-20-26931476/2039 ho@eeplindia.com +91-20-26934122 www.eeplindia.com