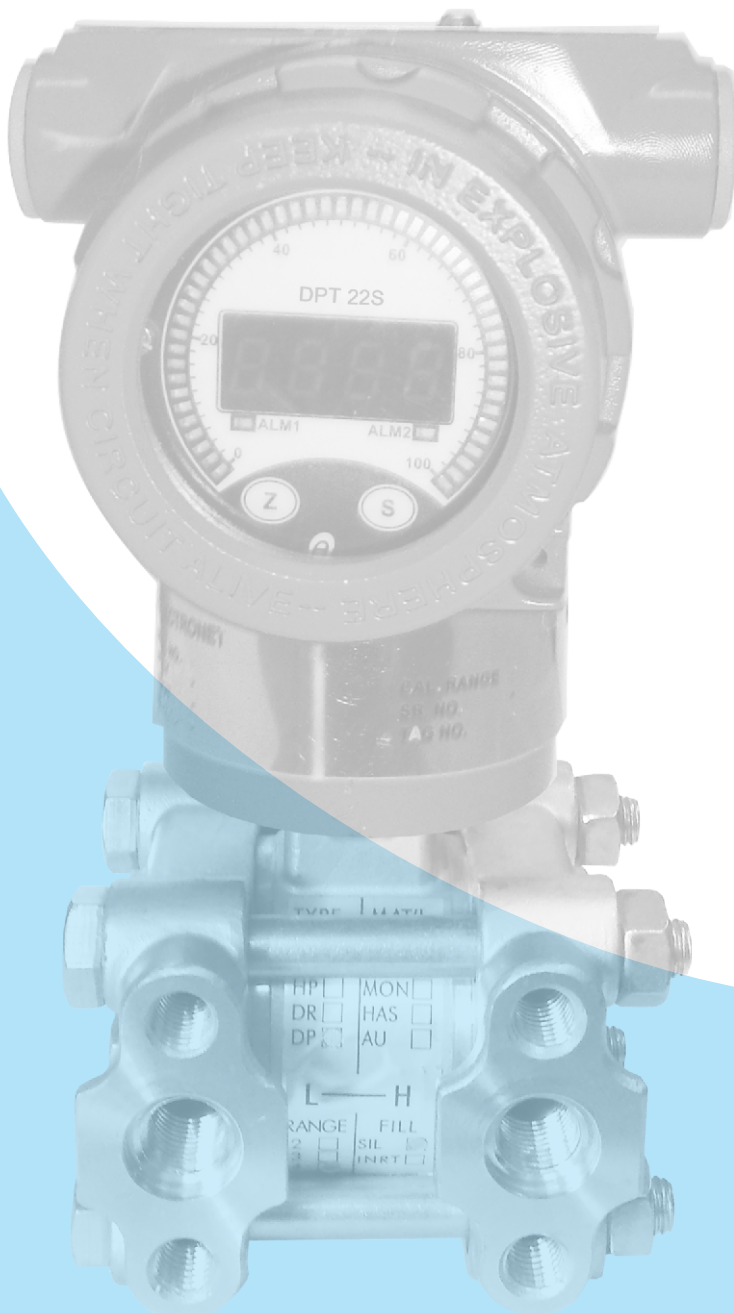


DPT - 22S

DIFFERENTIAL PRESSURE
TRANSMITTER & SWITCH



FEATURES

- Piezo Resistive Sensor
- Measuring Range 0.2 to 25 Bar
- Handy & Maintenance Free
- Reliable & Cost Effective
- Ingress Protection IP 65
- 51 Segment tri color Bar-Graph
- Simple "Push-Button" configurability
- 4 Digit Seven Segment Red LED Display



Electronet series DPT-22S are electronic Differential Pressure Transmitter & Switches for fast, easy & trouble free operation. These switches are designed to cover a majority of industrial applications such as gas, liquid etc. 4-20mA & Pressure switch output is 2Amp. Optocoupler phototriac & a power triac combination is used for switching, Optocoupler phototriac switch acts as an isolated driver and thus enables the driving of power triac by micro-controller.

Technical Specifications

| | |
|--------------------------|---|
| Sensor Type | Piezo Resistive |
| Measuring Range | 0.2 to 25 Bar |
| Analog Output | 4-20mA DC |
| Pressure Switch output | Power Triac, 2Amp (Set Point : Between 10 to 90 % of span) |
| Display | 4 digit, 0.3", 7 segment Red LED for pressure value indication |
| Bar-Graph | 51 segment tri color LED for bar-graph (0 - 100% indication) |
| Accuracy | ± 0.5% F. S. |
| Over Pressure | 1.5 times max. Pressure range |
| Burst Pressure | 2 times max. Pressure range |
| Process Temperature | -40 to 120 °C max |
| Power Supply | 12V to 36V DC |
| Response Time | <300mSec for 10 to 90% output change |
| Non Linearity | < = 0.2% of SPAN |
| Non Repeatability | < = 0.1% of SPAN |
| Material of Construction | All wetted parts SS 316 |
| Case | Aluminum Die. Cast (IP 65) |
| Mounting | Direct Line mount (Vertical) |
| Process Connection | 1) 1/4" NPT, 2) 1/2" NPT, 3) 1/4" BSP, 4) 1/2" BSP 5) *Other on request |
| Electrical Connection | M20 X 1.5 (F) / 1/2" NPTF |
| Weight | 1 kg (Approximate) |
| Operating Conditions | Temperature : -20 to 75 °C / Humidity : 5 to 95% non condensing |
| Certification | CE |

Product Drawing & Dimensions

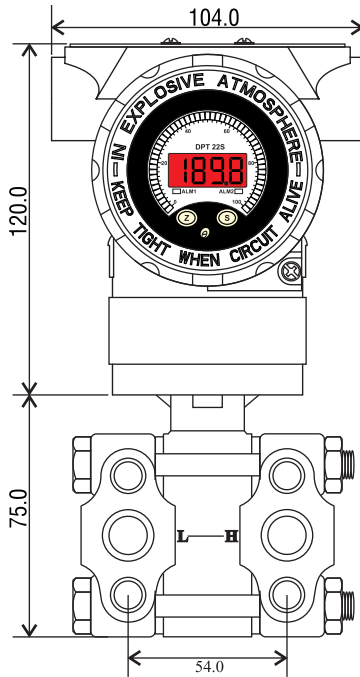


Fig.1 Front View

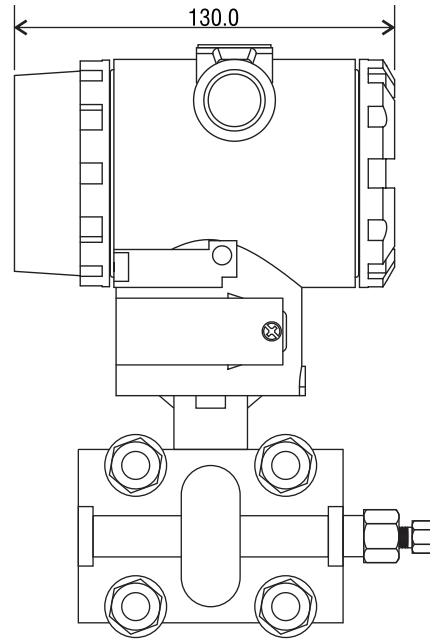
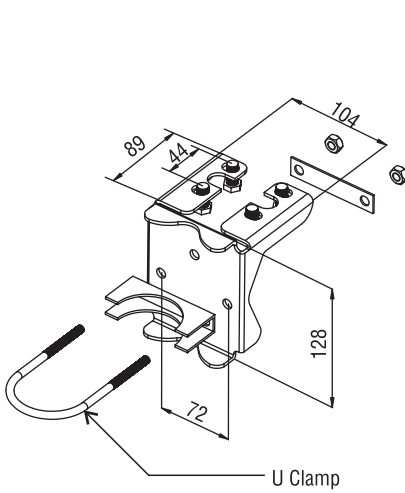


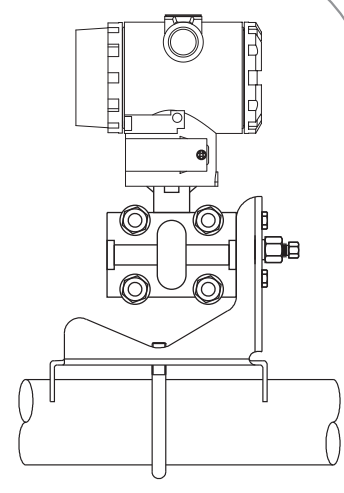
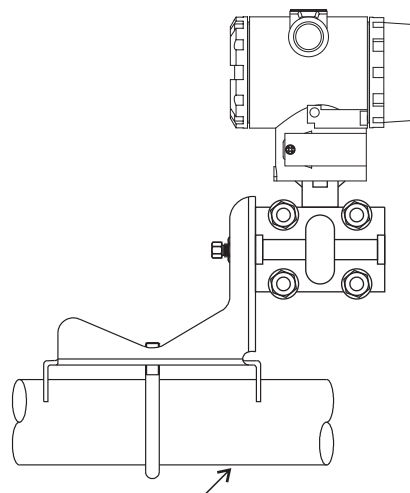
Fig.2 Side View

Installation Drawing & Dimensions

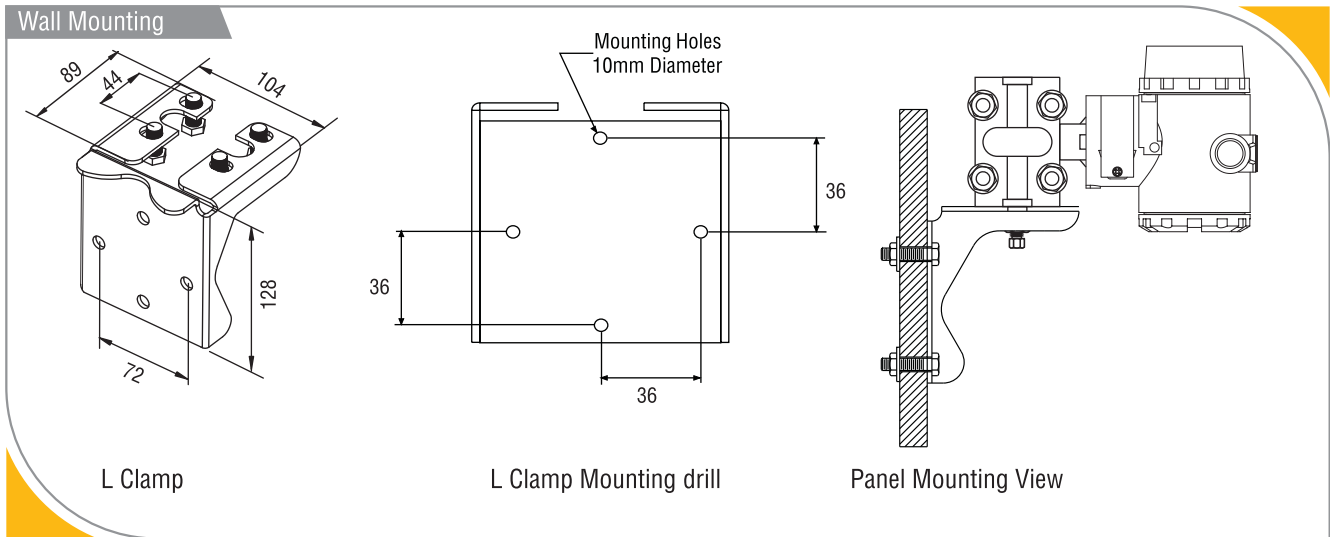
Pipe Mounting



Pipe Mounting Clamp



Pipe Mounting View



Ordering Information

Sample Order Code : 03C-05F-07B-21B-22A-24B-49A-65A-66S-67C-78A-91B

| Parameter | Code | Value | Parameter | Code | Value |
|------------------------------|-------------------|------------------------------------|--|---------------|--------------------|
| 03 Measurement Type | 03C | DP | 66 Process Connection | 66G | ¼" NPT (M) |
| | 05 Pressure Range | 05B | | 1.16 psi | 66H |
| 05C | | 5.801 psi | | 66I | ¼" BSP (M) |
| 05D | | 29.007 psi | | 66J | ½" BSP (M) |
| 05E | | 100 psi | | 66L | 2 Meters Capillary |
| 05F | | 300 psi | | 66R | ¼" NPT (F) |
| 07 Area Classification | | 07A | | Weather Proof | 66S |
| | 07B | Flame Proof | | 66T | ¼" BSP (F) |
| 21 Electrical Connection | 21A | M20 X 1.5 | | 66U | ½" BSP (F) |
| | 21B | ½" NPT (F) | | 66AA | Diaphragm Seal 1" |
| | 21X | Other | | 66AB | Diaphragm Seal 1½" |
| 22 MOC Electronics Enclosure | 22A | Die Cast Aluminium | | 66AC | Diaphragm Seal 2" |
| | 22B | SS316 | | 66X | Other |
| 24 Power Supply | 24B | 24 V DC | 67 MOC Flange | 67C | SS316 |
| | 24X | Other | | 67X | Other |
| 49 Output | 49A | 4 to 20 mA | 78 Fill Fluid | 78A | Silicon Oil |
| | 49G | Relay Single Output * | | 78X | Other |
| | 49H | 4 to 20 mA + Relay Single Output * | 91 Mounting Bracket | 91C | MS |
| 65 Wetted Parts Material | 65A | SS316 | | 91D | SS316 |
| | 65B | SS316L | Note : • Due to our continuous product revisions, design specification and model numbers are subject to change without notice. • Accuracy defined at Lab Conditions. * For switching relay contacts external 24V DC Power Supply is required. • For other requirement please consult factory. * For AP & DP, pressure range available is upto 300 psi. | | |
| | 65C | SS304 | | | |
| | 65D | Hastelloy C | | | |

ELECTRONET EQUIPMENTS PVT. LTD.

Factory Address:

Plot No. 8, (SEZ) Phase 1, Kesurdi MIDC, Khandala, Dist.- Satara Pin: 412 801, Maharashtra, India.

Registered Office:

Plot No. 84, 85, 86, Tiny Industrial Estate, Kondhwa Budruk, Pune-411 048, Maharashtra, India.

+91-20-26931476/2039 ho@eeplindia.com +91-20-26934122 www.eeplindia.com