

# FL 244

## FLOW INDICATOR TOTALISER

### Features

- Indication through LED
- Input type selectable Linear / Square Root
- Normal / Batch mode for Operation
- Averaging of Inputs for Turbulent Flow
- Programmable Low Flow Cut-Off
- Software Calibration
- Communication MODBUS RTU



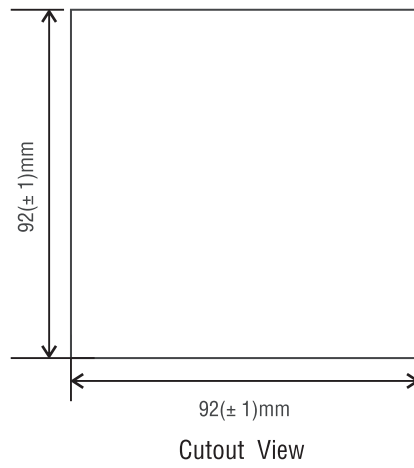
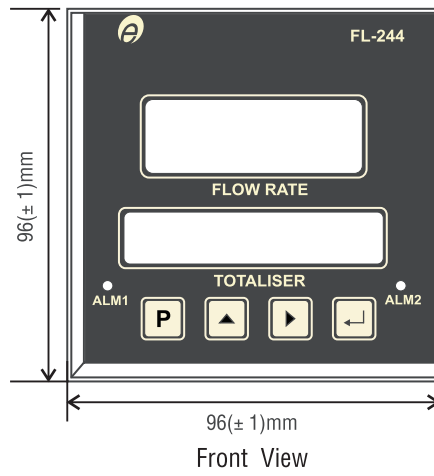
### Description

**E**lectronet series FL-244 is microcontroller based flow indicator totaliser designed for various industrial application. These can be used for indication & totalisation of flow. The input can be linearly or square rooted. The micro-controller based design provides full flexibility for flow metering applications.

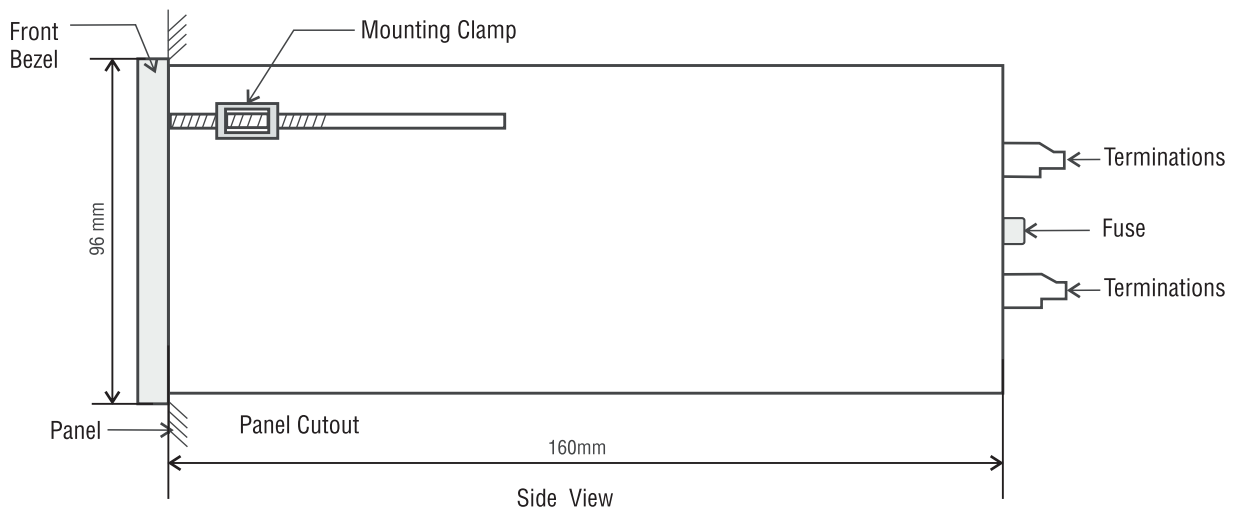
### Technical Specifications

Operating Modes	Normal / Batch
Input	1) Frequency (0-10 KHz) 2) Current ( 4-20 mA) [Linear / Square Rooted] 3) Voltage (0-5V / 1-5V) [Linear / Square Rooted]
Display	4 digit, 0.5" Red LED for Flow Rate & 8 digit, 0.3" Red LED for Totalised Flow
Range	Programmable (0 to 9999)
Accuracy	Better than +/- 0.25% of F. S.
Open Sensor Indication	Provided
Power Supply	1) 24V DC 2) 90 - 250V AC, 50 Hz
Power Consumption	Less than 10 VA
Temperature Drift	< 0.01% of F. S. per°C change
Response Time	< 200 mSec
Isolation	1.4 KV between Input, Output & Power Supply
Enclosure	1) DIN Std 2) Weather-proof, IP-65
Dimensions	96 (H) x 96 (W) X 160 (D) in mm approx. for DIN Std. Enclosure
Mounting	Flush of the Panel for DIN std. enclosure & wall mounting suitable for WP enclosure
Weight	Less than 2 Kg (Approx.)
Operating Conditions	Temperature -20 to 55°C / Humidity 5 to 95% non condensing
<b>OPTIONAL</b>	
Transmitter Supply	24V DC, 30 mA
Retransmission Output	4-20mA
Alarm Output	Potential free Relay Contact - 2 Nos. (1 c/o, 5 Amp. @ 230 V AC) Configurable for High, Low & Batch
Communication Port	RS 485 / RS 232 supporting MODBUS RTU protocol

Dimensional Details



Installation Drawing



Ordering Information

Sample Order Code : 28E-29B-43F-49A-52B-53C-59A-60A

Parameter	Code	Value	Parameter	Code	Value		
28	Bazel Size	28C	96mm (H) x 96mm (W)	53	Communication Output 1	53A	RS 485
		28E	72mm (H) x 144mm (W)			53B	RS 232
		28G	144mm (H) x 72mm (W)			53C	GSM
		53Y	None				
29	Electronics Enclosure	29A	DIN	59	Transmitter Power Supply	59A	24V DC
		29B	Weather Proof			59Y	None
		29C	Flame Proof				
43	Input	43F	4 to 20mA	60	Input Power Supply	60A	90 to 250V AC
		43H	1 to 5 V			60B	24V DC
		43I	0 to 10 KHz				
49	Output	49A	4 to 20mA	<p>Note : - Due to our continuous product revisions, design specification and model numbers are subject to change without notice.</p> <ul style="list-style-type: none"> <li>- Accuracy defined at Lab Conditions.</li> <li>- For other requirement please consult factory.</li> </ul>			
		49Y	None				
52	Alarm Output	52A	1 Alarm				
		52B	2 Alarm				
		52L	Batch				
		52Y	None				
Note: At a time Maximum 2 Alarms							

Applications

Food Industry	Chemical Industry	Atomic Energy	Manufacturing Industry
Automation Industry	Thermal Power Energy	Process Industry	Water Treatment Industry

ELECTRONET EQUIPMENTS PVT. LTD.

Factory Address:

Plot No. 8, (SEZ) Phase 1, Kesurdi MIDC, Khandala, Dist.- Satara Pin: 412 801, Maharashtra, India.

Registered Office:

Plot No. 84, 85, 86, Tiny Industrial Estate, Kondhwa Budruk, Pune-411 048, Maharashtra, India.

+91-20-26931476/2039    ho@eeplindia.com    +91-20-26934122    www.eeplindia.com