

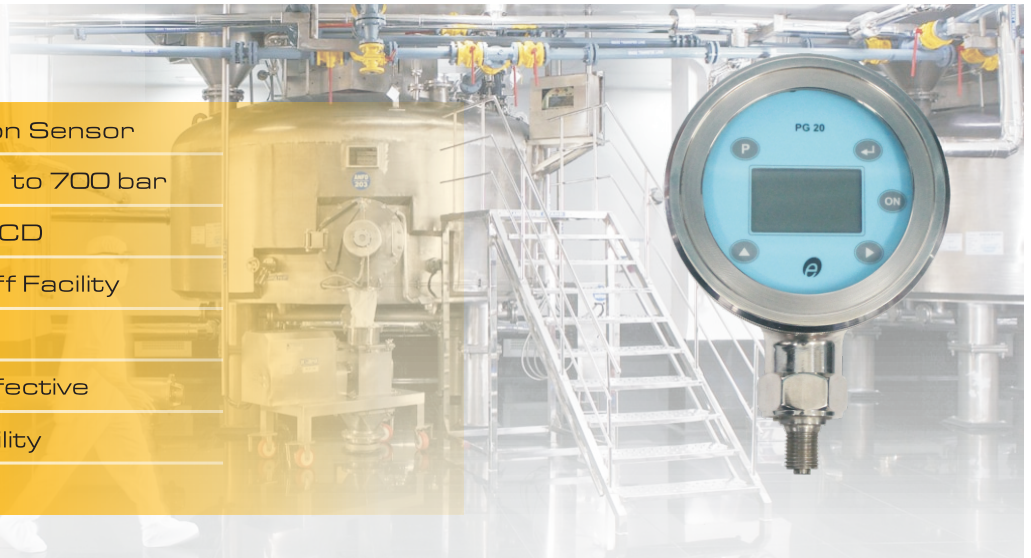
PG - 20

PRESSURE GAUGE



FEATURES

- Piezo Resistive Silicon Sensor
- Measuring Range - 1 to 700 bar
- Indication Through LCD
- Display Auto Shut Off Facility
- Battery Operated
- Reliable and Cost Effective
- Unit Conversion Facility
- Zero Tare Facility



Electronet series PG-20 is Digital Pressure Gauges for fast, easy & trouble free operation. These can be cost effective & ideal for monitoring the pressure. Display shut-off facility is provided so that display can be made 'ON' only if required through push button. Thus it saves the battery power and results in long lasting battery operation.

Technical Specifications

| | |
|-------------------------|---|
| Sensor Type | Piezo Resistive |
| Diaphragm MOC | Hastelloy C / SS316L |
| Process Connection MOC | SS316 / SS316 L / Hastelloy C |
| Measuring Range | -1 to 700 bar (For AP & GP) |
| Display | 8 x 1 LCD |
| Accuracy | ± 0.25% F. S. |
| Burst Pressure | 2 times max. Pressure range |
| Over Pressure Safety | 1.5 times of Max. pressure range |
| Process Temperature | -40 to 120 °C max |
| Display Lock | Display can be made ON by pressing 'ON' Key on front fascia Display ON duration programmable (1 min, 2 min, 5 min & conti. ON) |
| Power Supply | 3.6 V, Battery Operated |
| Battery Back up Time | 2000 Hrs |
| Response Time | < 200 mSec |
| Temperature Coefficient | ± 0.01% per °C |
| Enclosure Material | SS / Die cast Aluminum IP-65 / Flameproof |
| Mounting | Direct Line mount |
| Pressure Entry | 1) Bottom, 2) Rear |
| Weight | 1 kg (Approximate) |
| Operating Conditions | Temperature : -20 to 75 °C / Humidity : 5 to 95% non condensing |
| Certification | CE |

Product Drawing & Dimensions

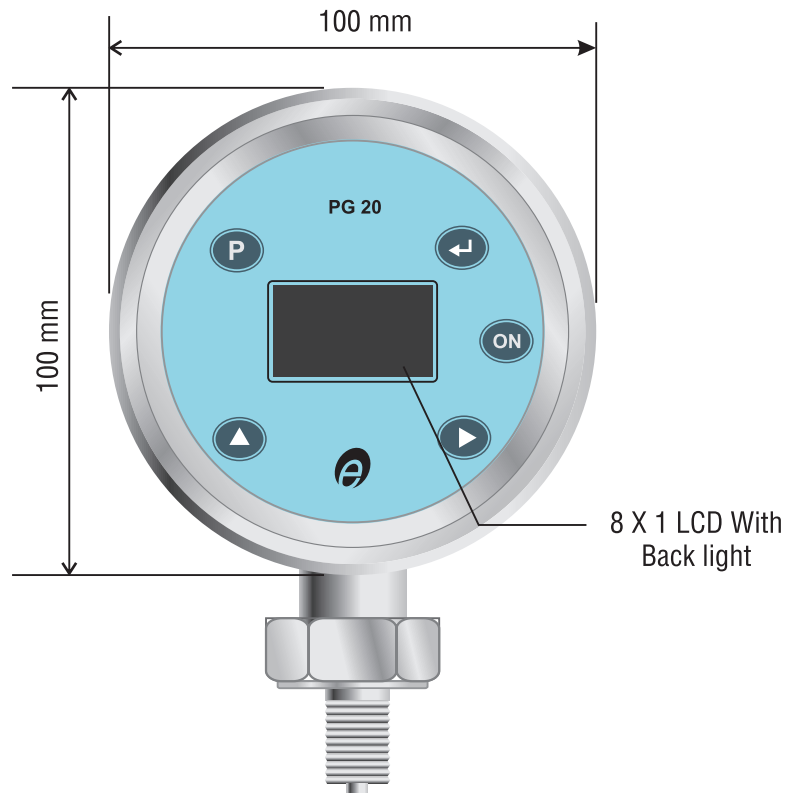


Fig 1 Front View

Assembly Overview Details

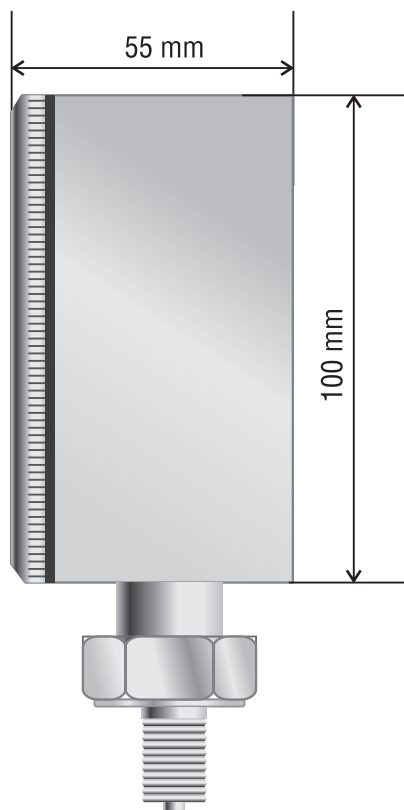


Fig. 2 Side View

Ordering Information

Sample Order Code : 03B-07A-13D-14Z-22B-53C-66H-76A

| Parameter | Code | Value | Parameter | Code | Value |
|--------------------------|------|---------------|--|------|--------------------|
| 03 Measurement Type | 03A | AP | 22 MOC Electronics Enclosure | 22A | Die Cast Aluminium |
| | 03B | GP | | 22B | SS316 |
| 07 Area Classification | 07A | Weather Proof | 53 Communication Output 1 | 53C | GSM |
| | 07B | Flame Proof | | 53Y | None |
| 13 Pressure Range FOR AP | 13B | 5.801 psi | 66 Process Connection | 66G | 1/4" NPT (M) |
| | 13C | 29.007 psi | | 66H | 1/2" NPT (M) |
| | 13D | 100 psi | | 66I | 1/4" BSP (M) |
| | 13E | 300 psi | | 66J | 1/2" BSP (M) |
| | 13Z | NA | | 66R | 1/4" NPT (F) |
| 14 Pressure Range FOR GP | 14A | 1.16 psi | | 66S | 1/2" NPT (F) |
| | 14B | 5.801 psi | | 66T | 1/4" BSP (F) |
| | 14C | 29.007 psi | | 66U | 1/2" BSP (F) |
| | 14D | 100 psi | 76 Process Connection Point | 76A | Bottom |
| | 14E | 300 psi | | 76B | Rear |
| | 14H | 1000 psi | Note : ▪ Due to our continuous product revisions, design specification and model numbers are subject to change without notice. ▪ Accuracy defined at Lab Conditions. ▪ For other requirement please consult factory. | | |
| | 14I | 3000 psi | | | |
| | 14J | 6000 psi | | | |
| | 14K | 10000 psi | | | |
| 14Z | NA | | | | |

Applications

| | | | |
|---------------------|----------------------|------------------|--------------------------|
| Food Industry | Chemical Industry | Atomic Energy | Manufacturing Industry |
| Automation Industry | Thermal Power Energy | Process Industry | Water Treatment Industry |

ELECTRONET EQUIPMENTS PVT. LTD.

Factory Address:

Plot No. 8, (SEZ) Phase 1, Kesurdi MIDC, Khandala, Dist.- Satara Pin: 412 801, Maharashtra, India.

Registered Office:

Plot No. 84, 85, 86, Tiny Industrial Estate, Kondhwa Budruk, Pune-411 048, Maharashtra, India.

+91-20-26931476/2039 ho@eeplindia.com +91-20-26934122 www.eeplindia.com