

**PT - 22**

PRESSURE TRANSMITTER



# FEATURES

- Piezo Resistive Silicon Sensor
- Measuring Range -1 to 700 Bar
- Handy & Maintenance Free
- Reliable & Cost Effective
- Ingress Protection IP 65

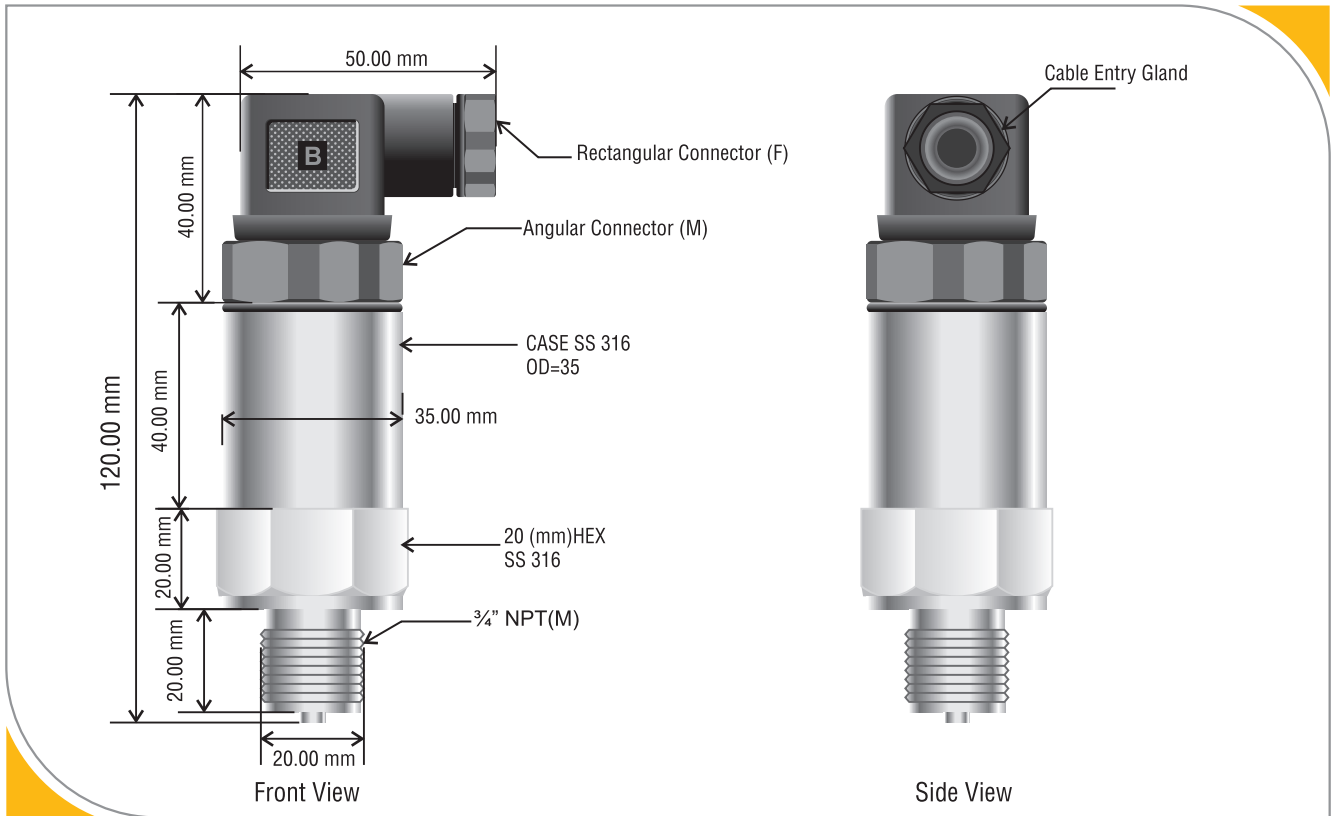


**E**lectronet series PT-22 is Digital Pressure Transmitter for fast, easy & trouble free operation. These transmitters are designed to cover the majority of industrial applications such as clear Gases & Liquids. Electrical output is in the form of 4–20 mA DC proportional to the Input Pressure. All wetted parts are stainless steel & hermitically welded.

## Technical Specifications

Sensor Type	Piezo Resistive
Measuring Range	-1 to 700 Bar for AP and GP
Output	4 – 20 mA DC, 2 wire
Output Load	Max 600 Ω
Accuracy	± 0.25% F. S.
Over Pressure Safety	1.5 times max. Pressure range
Safe Operating voltage	36VDC
Burst Pressure	2 times max. Pressure range
Process Temperature	-20 to 120 °C max
Power Supply	24V DC, External
Response Time	<10 mSec for 10 to 90% output change
Non Linearity	0.2% of Span
Non Repeatability	< 0.1% of Span
Insulation Resistance	>100 MΩ at 100VDC
Material of Construction	All wetted parts SS 316 (Options available on request)
Case	SS 316 with IP 65 Ingress Protection
Mounting	Direct Line mount (Vertical)
Process Connection	A) Threaded: 1/4" NPT, 2) 1/2" NPT, 3) 1/4" BSP, 4) 1/2" BSP B) Flush Type : Size Options available
Span / Zero Adjustments	Provided
Weight	0.4 kg (Approximate)
Operating Conditions	Temperature : -20 to 75°C / Humidity : 5 to 95% non condensing

Product Drawing & Dimensions



Ordering Information

Sample Order Code : 03B-13B-14C-66H

Parameter	Code	Value	Parameter	Code	Value
03 Measurement Type	03A	AP	66 Process Connection	66G	1/4" NPT (M)
	03B	GP		66H	1/2" NPT (M)
13 Pressure Range FOR AP	13B	5.801 psi		66I	1/4" BSP (M)
	13C	29.007 psi		66J	1/2" BSP (M)
	13D	100 psi		66K	Flush Diaphragm
	13E	300 psi		66R	1/4" NPT (F)
	13Z	NA		66S	1/2" NPT (F)
	14 Pressure Range FOR GP	14A		1.16 psi	66T
14B		5.801 psi		66U	1/2" BSP (F)
14C		29.007 psi		66X	Other
14D		100 psi	Note : <ul style="list-style-type: none"> <li>Due to our continuous product revisions, design specification and model numbers are subject to change without notice.</li> <li>Accuracy defined at Lab Conditions.</li> <li>For other requirement please consult factory.</li> </ul>		
14E		300 psi			
14H		1000 psi			
14I		3000 psi			
14J		6000 psi			
14K		10000 psi			
14Z	NA				

ELECTRONET EQUIPMENTS PVT. LTD.

Factory Address:

Plot No. 8, (SEZ) Phase 1, Kesurdi MIDC, Khandala, Dist.- Satara Pin: 412 801, Maharashtra, India.

Registered Office:

Plot No. 84, 85, 86, Tiny Industrial Estate, Kondhwa Budruk, Pune-411 048, Maharashtra, India.

+91-20-26931476/2039 ho@eeplindia.com +91-20-26934122 www.eeplindia.com