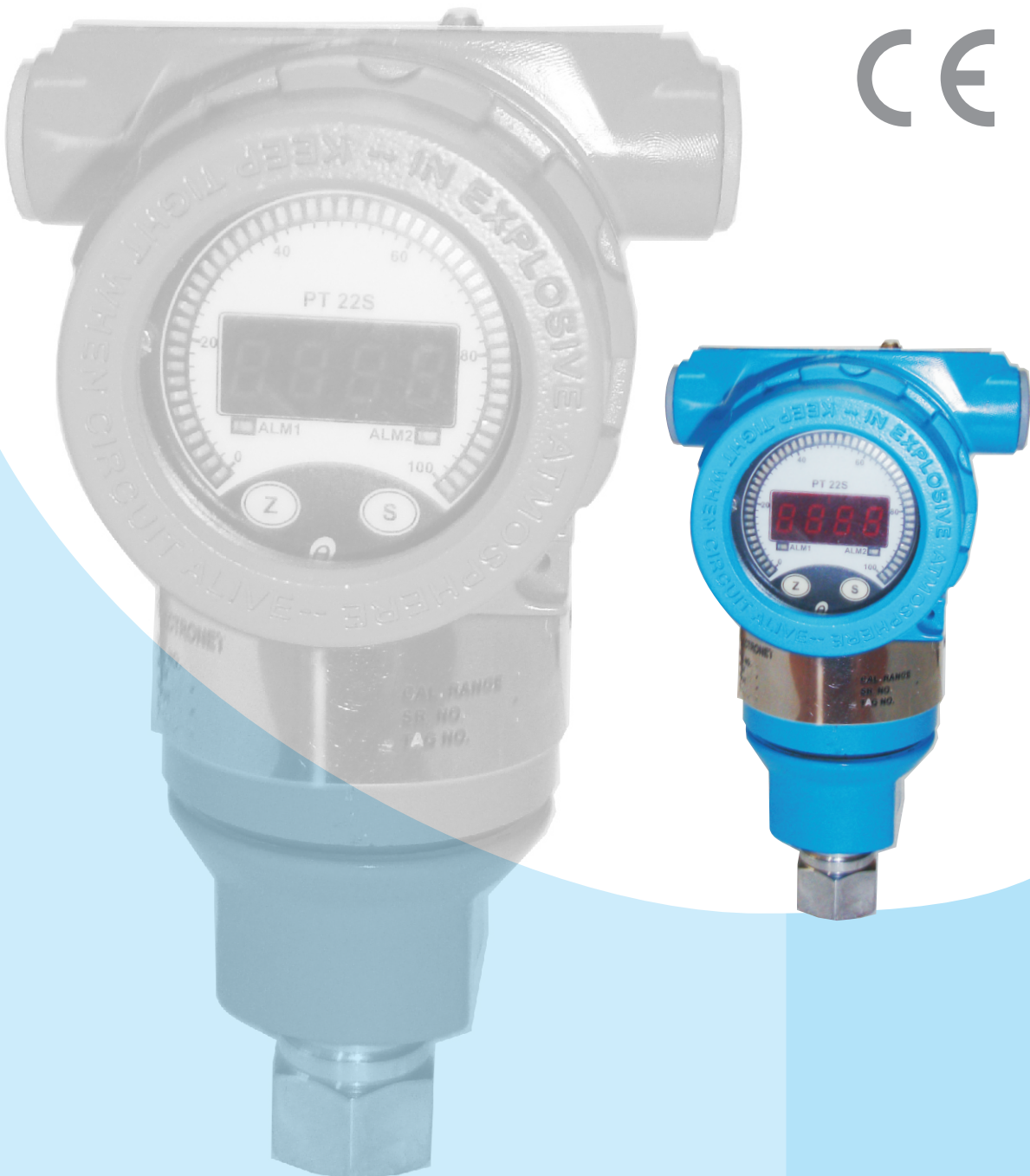


PT - 22S

PRESSURE TRANSMITTER & SWITCH



FEATURES

- Piezo Resistive Sensor
- Measuring Range -1 to 700 Bar
- Handy & Maintenance Free
- Reliable & Cost Effective
- Ingress Protection IP 65
- 51 Segment tri color Bar-Graph
- Simple "Push-Button" configurability
- 4 Digit Seven Segment Red LED Display



Electronet series PT-22S are electronic Pressure Transmitter & Switches for fast, easy & trouble free operation. These switches are designed to cover a majority of industrial applications such as gas, liquid etc. 4-20mA & Pressure switch output is 2Amp. Optocoupler phototriac & a power triac combination is used for switching, Optocoupler phototriac switch acts as an isolated driver and thus enables the driving of power triac by micro-controller.

Technical Specifications

Sensor Type	Piezo Resistive
Measuring Range	-1 to 700 Bar (For AP & GP)
Analog Output	4-20mA DC
Pressure Switch output	Power Triac, 2Amp (Set Point : Between 10 to 90 % of span)
Display	4 digit, 0.3", 7 segment Red LED for pressure value indication
Bar-Graph	51 segment tri color LED for bar-graph (0 - 100% indication)
Accuracy	± 0.5% F. S.
Over Pressure	1.5 times max. Pressure range
Burst Pressure	2 times max. Pressure range
Process Temperature	-40 to 120 °C max
Power Supply	12V to 36V DC
Response Time	<300mSec for 10 to 90% output change
Non Linearity	< = 0.2% of SPAN
Non Repeatability	< = 0.1% of SPAN
Material of Construction	All wetted parts SS 316
Case	Aluminum Die. Cast (IP 65)
Mounting	Direct Line mount (Vertical)
Process Connection	1) 1/4" NPT, 2) 1/2" NPT, 3) 1/4" BSP, 4) 1/2" BSP
Electrical Connection	M20 X 1.5 (F) / 1/2" NPTF
Weight	0.5 kg (Approximate)
Operating Conditions	Temperature : -20 to 75 °C / Humidity : 5 to 95% non condensing
Certification	CE

Product Drawing & Dimensions

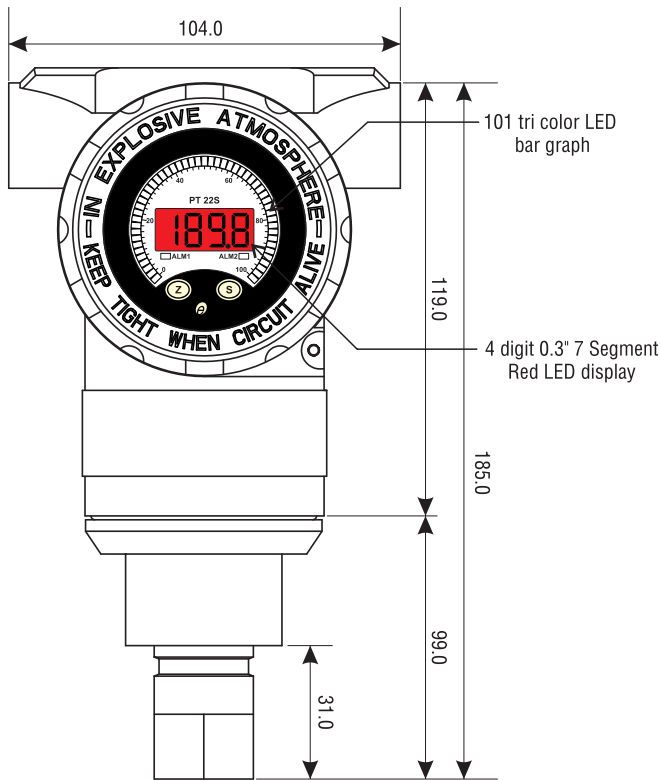


Fig. 1 Front View

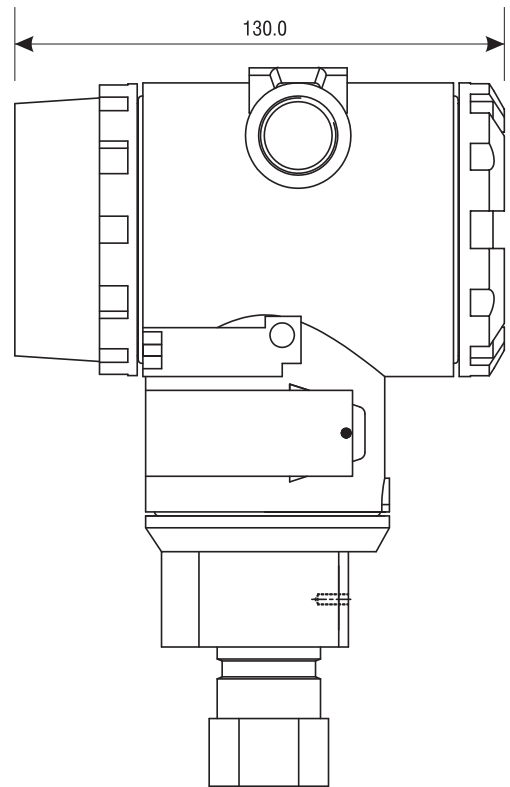


Fig. 2 Side View

Mounting Details

Pipe Mounting

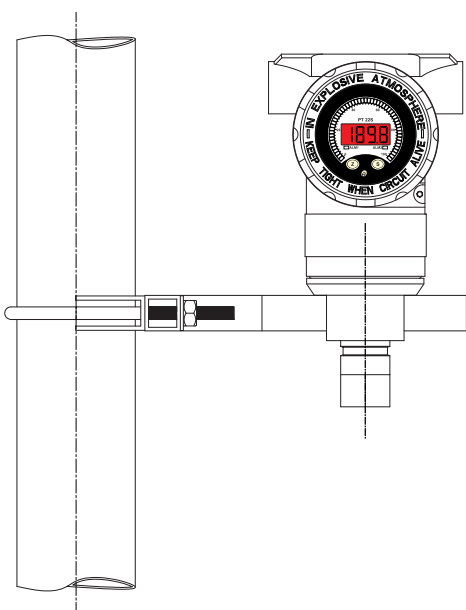


Fig. 1 Front View

Panel Mounting

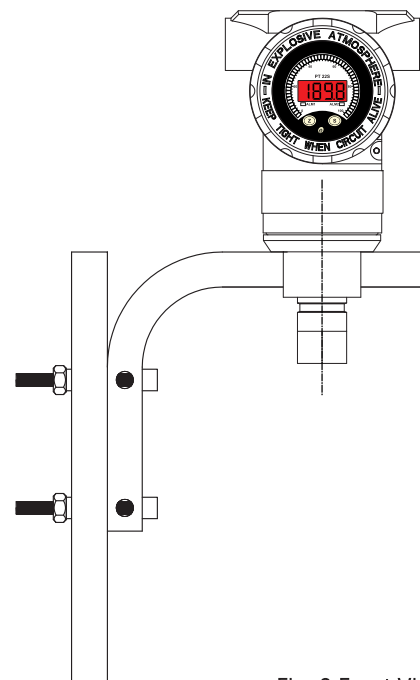


Fig. 2 Front View

Ordering Information

Sample Order Code : 03A-05F-07B-21B-22A-24B-49A-65A-66L-67C-78A-91B

Parameter	Code	Value	Parameter	Code	Value
03 Measurement Type	03A	AP	65 Wetted Parts Material	65A	SS316
	03B	GP		65B	SS316L
05 Pressure Range	05B	1.16 psi		65C	SS304
	05C	5.801 psi		65D	Hastelloy C
	05D	29.007 psi	66 Process Connection	66G	¼" NPT (M)
	05E	100 psi		66H	½" NPT (M)
	05F	300 psi		66I	¼" BSP (M)
	05G	1000 psi		66J	½" BSP (M)
	05H	3000 psi		66K	Flush Diaphragm
	05I	6000 psi		66L	2 Meters Capillary
05J	9000 psi	66R		¼" NPT (F)	
07 Area Classification	07A	Weather Proof		66S	½" NPT (F)
	07B	Flame Proof	66T	¼" BSP (F)	
21 Electrical Connection	21A	M20 X 1.5	66U	½" BSP (F)	
	21B	½" NPT (F)	66X	Other	
	21X	Other	67 MOC Flange	67C	SS316
22 MOC Electronics Enclosure	22A	Die Cast Aluminium		67X	Other
	22B	SS316	78 Fill Fluid	78A	Silicon Oil
24 Power Supply	24B	24 V DC		78X	Other
	24X	Other	91 Mounting Bracket	91A	MS
49 Output	49A	4 to 20 mA		91B	SS316
	49G	Relay Single Output *			
	49H	4 to 20 mA + Relay Single Output *			

Note :

- Due to our continuous product revisions, design specification and model numbers are subject to change without notice.
- Accuracy defined at Lab Conditions.
- * For switching relay contacts external 24V DC Power Supply is required.
- For other requirement please consult factory.

Applications

Food Industry	Chemical Industry	Atomic Energy	Manufacturing Industry
Automation Industry	Thermal Power Energy	Process Industry	Water Treatment Industry

ELECTRONET EQUIPMENTS PVT. LTD.

Factory Address:

Plot No. 8, (SEZ) Phase 1, Kesurdi MIDC, Khandala, Dist.- Satara Pin: 412 801, Maharashtra, India.

Registered Office:

Plot No. 84, 85, 86, Tiny Industrial Estate, Kondhwa Budruk, Pune-411 048, Maharashtra, India.

+91-20-26931476/2039 ho@eeplindia.com +91-20-26934122 www.eeplindia.com