



DPC - 100

SINGLE INPUT PROCESS INDICATOR

Features

- ON/OFF controller
- Single Channel
- Universal Input
- Open Sensor Indication
- Software Calibration
- Cold junction Compensation for thermocouple input



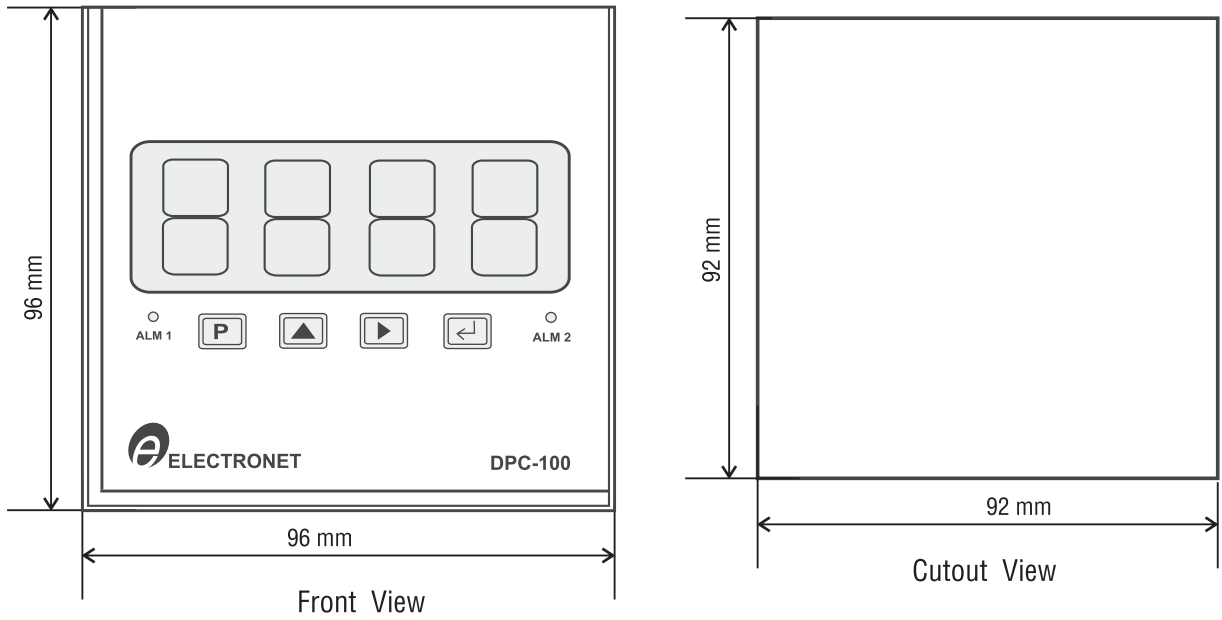
Description

Electronet Series DPC-100 is universal input Process Indicator / Controller specially designed for various industrial applications. These can be used for monitoring and controlling parameters like Temperature, Humidity, Pressure, Flow, Level etc. The measuring range and control points are able to set through the keypad on front fascia and control output is available at the rear terminals. Retransmission output & communication port are additive features of DPC-100.

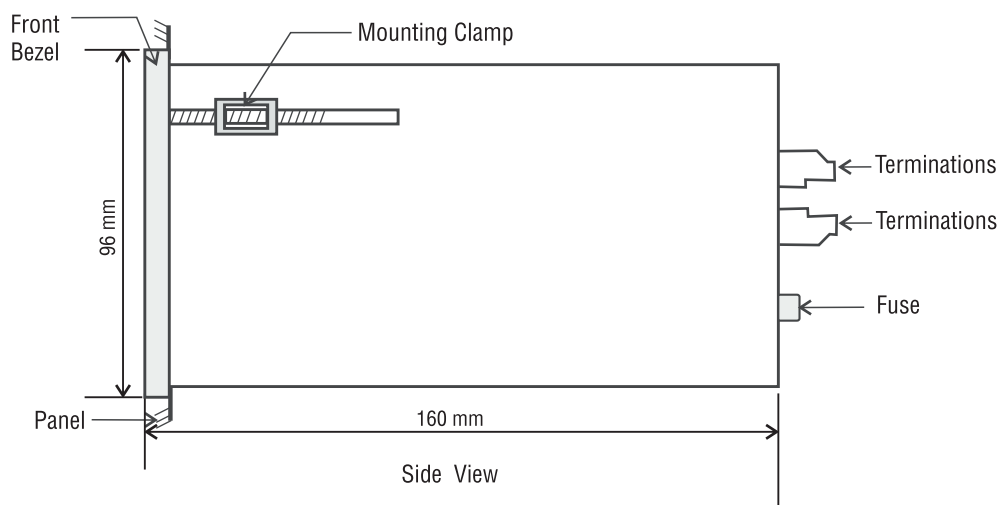
Technical Specifications

| | |
|------------------------|---|
| Type of Control | ON/OFF |
| No. of Input | 01 No. |
| Input | Universal |
| | 1) RTD (PT-100 / PT-200) 2 or 3 Wire |
| | 2) Thermocouple (J / K / R / S / T / B / E Type) |
| | 3) Current (0-20 mA / 4-20 mA) 4) Voltage (0-5 V DC / 1-5 V DC / 0 - 0.1V DC) |
| Display | 4 x 1 Digit, 0.8", 7 Segment Red LED |
| Range | Programmable for mA & Voltage (-999 to +9999) |
| Accuracy | 1) For R, S & B type Thermocouple, better than $\pm 0.5\%$ of F. S. |
| | 2) For rest inputs, better than $\pm 0.25\%$ of F. S. |
| Open Sensor Indication | 'OPEN' on display for RTD & Thermocouple input |
| Power Supply | 1) 24 V DC 2) 90 - 250 V AC, 50 Hz |
| Power Consumption | < 10 VA |
| Temperature Drift | < 0.01% of F. S. per °C change |
| Response Time | < 200 mSec |
| Isolation | 1.4 KV between Input, Output & Power Supply |
| Enclosure | 1) DIN STD. |
| | 2) Weatherproof, IP-65 |
| Dimensions | 96 (H) x 96 (W) x 160 (D) in mm approx. for DIN STD. Enclosure |
| Mounting | Flush of the Panel for DIN STD & Wall mount for WP / FLP Enclosure |
| Weight | Less than 1 Kg (Approx.) |
| Operating Conditions | Temperature -20 to 55 °C / Humidity 5 to 95% non condensing |
| OPTIONAL | |
| Transmitter Supply | 24 V DC, 30 mA |
| Retransmission Output | 4 - 20 mA / 0 - 5 V, Isolated |
| Alarm Output | Potential free Relay Contact - 4 Nos. (1 c/o, 1A @ 230 V AC) |
| | Individual Configuration for high, low |
| Communication Port | RS 485 / RS 232 supporting MODBUS RTU protocol |

Dimensional Details



Installation Drawing



Ordering Information

Sample Order Code : 29A-43K-52D-53B-57A-59B-60A

| Parameter | Code | Value | Parameter | Code | Value | | | | |
|-----------|-----------------------|-------|-------------------|--|--------------------------|-----|--------------------|-----|---------------|
| 29 | Electronics Enclosure | 29A | DIN | 53 | Communication Output 1 | 53A | RS 485 | | |
| | | 29B | Weather Proof | | | 53B | RS 232 | | |
| | | 29C | Flame Proof | | | 53C | GSM | | |
| | | 53Y | None | | | | | | |
| 43 | Input | 43F | 4 to 20mA | 57 | Retransmission Output 1 | 57A | 4 to 20 mA | | |
| | | 43G | 0 to 5V / 1 to 5V | | | 57B | 0 to 5V | | |
| | | 43J | RTD | | | 57Y | None | | |
| | | 43K | Thermocouple | 59 | Transmitter Power Supply | 59B | 24V DC, 30 mA | | |
| | | 43M | Current | | | 59Y | None | | |
| | | 43N | Voltage | | | 60 | Input Power Supply | 60A | 90 to 250V AC |
| | | 43O | Universal | | | | | 60B | 24V DC |
| | | 43X | Other | | | | | | |
| 52 | Alarm Output | 52A | 1 Alarm | Note : ▪ Due to our continuous product revisions, design specification and model numbers are subject to change without notice. ▪ Accuracy defined at Lab Conditions. ▪ For other requirement please consult factory. | | | | | |
| | | 52B | 2 Alarm | | | | | | |
| | | 52C | 3 Alarm | | | | | | |
| | | 52D | 4 Alarm | | | | | | |
| | | 52E | 5 Alarm | | | | | | |
| | | 52Y | None | | | | | | |

Applications

| | | | |
|---------------------|----------------------|------------------|--------------------------|
| Food Industry | Chemical Industry | Atomic Energy | Manufacturing Industry |
| Automation Industry | Thermal Power Energy | Process Industry | Water Treatment Industry |

ELECTRONET EQUIPMENTS PVT. LTD.

Factory Address:

Plot No. 8, (SEZ) Phase 1, Kesurdi MIDC,
Khandala, Dist.- Satara
Pin: 412 801, Maharashtra, India.

Registered Office:

Plot No. 84, 85, 86, Tiny Industrial Estate,
Kondhwa Budruk,
Pune-411 048, Maharashtra, India.



+91-20-26931476/2039



ho@eeplindia.com



+91-20-26934122



www.eeplindia.com