

## CAPACITANCE LEVEL SWITCH

### Features

- Switch output potential free Relay Contact
- Simple, Low Cost & Reliable
- Protection class IP-65
- Trouble free operation of conductive / non conductive Liquids, slurries

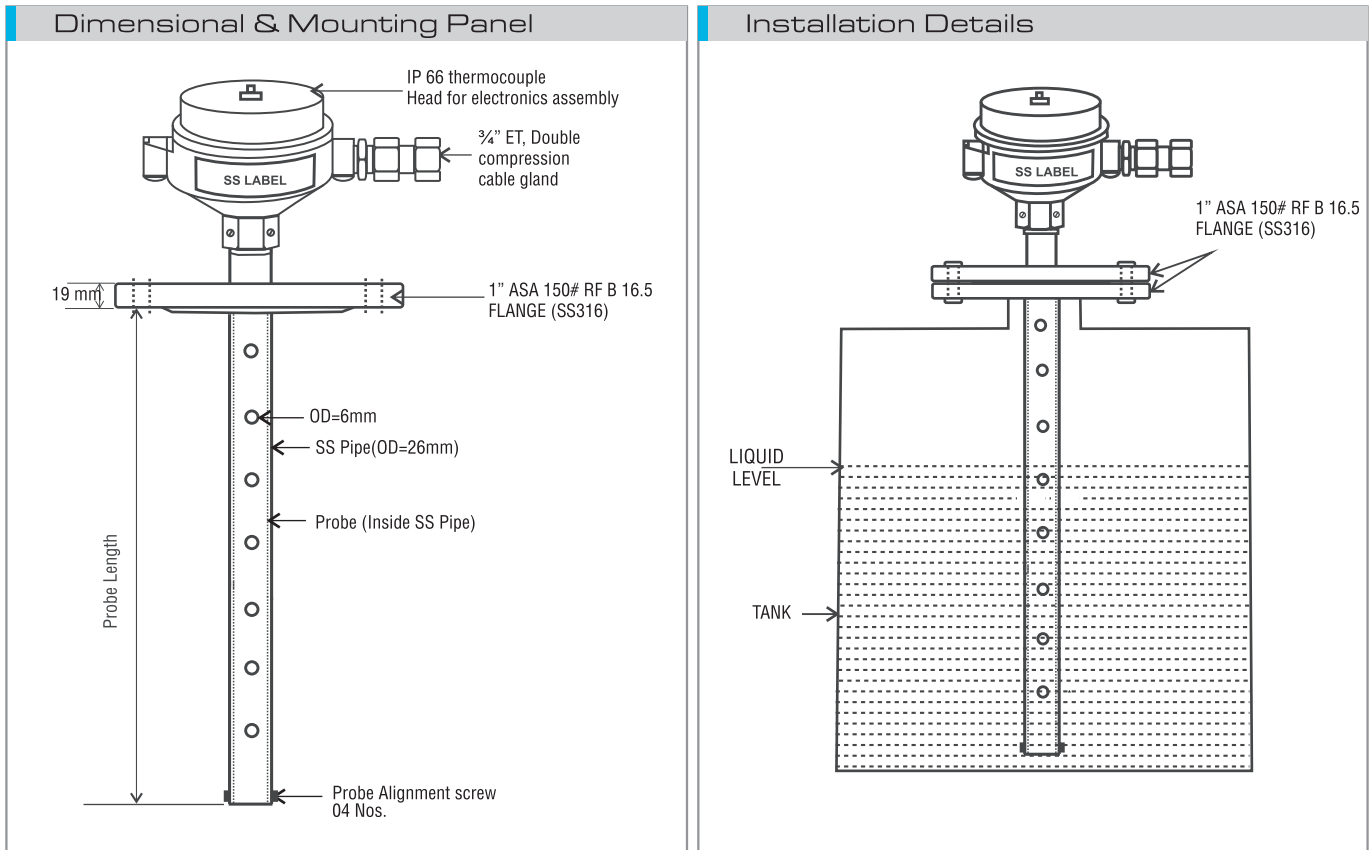
### Description

**E**lectronet series LCS-02 are capacitance type level switch. Vessel wall & probe forms two electrodes. If vessel is of non conductive material, the probe will be double rod type. The distance between electrode & surface area of electrodes remain unchanged. The variable is the depth of the material being measured which represents the dielectric constant between two electrodes. Air & vacuum have relative dielectric constant as 1 & that of liquids, it is greater than 1. The capacitance of the capacitor therefore depends on how much material lies between the probe & vessel wall i.e. Whether the probe is covered with or free from material. The capacitor changes with change in level of the material & provides switching output at desired preset level.



### Technical Specifications

Probe Length	As per requirement (max 3000mm)
Probe Dia	ID 21 mm, OD 25 mm
Accuracy	+/- 2% F. S.
Process Temperature	100°C max
Process Pressure	10 kg/cm <sup>2</sup> max
Probe MOC	SS316
Type of Output	Potential free Relay Contact – 1 no.
Switch Contact Output	1 Alarm
Contact Rating	1 c/o, 1 Amp.
Power Supply	1) 24 V DC 2) 230 V AC, 50 Hz
Power Consumption	< 6 VA
Response Time	< 1 Sec.
Temperature Coefficient	+/- 0.01% per °C
Transmitter Enclosure	IP-65
Process Connection	1) 1" BSP Threaded Male 2) 1" ASA 150, Flanged 3) Other on request
Mounting	Top of the tank
Operating Conditions	Temperature 0 to 75°C / Humidity 5 to 95% non condensing at 25°C
NOTE : Process conditions other than above please consult factory	



Ordering Information

Sample Order Code : 02B-07B-21A-22A-24A-66A-84A

Parameter	Code	Value
02 Measuring Range	02A	300 mm
	02B	1000 mm
07 Area Classification	07A	Weather Proof
	07B	Flame Proof
21 Electrical Connection	21A	M20 X 1.5
	21B	1/2" NPTF
	21X	Other
22 MOC Electronics Enclosure	22A	Die Cast Aluminium
	22B	SS316
	22C	ABS Plastic

Parameter	Code	Value
24 Power Supply	24A	90 - 250 VAC
	24B	24 VDC
66 Process Connection	66A	Threaded
	66B	Flanged
	66E	Tri Clover
84 Probe Type	84A	Single Rod
	84B	Coaxial

Note : • Due to our continuous product revisions, design specification and model numbers are subject to change without notice.  
 • Accuracy defined at Lab Conditions. • For other requirement please consult factory.

Applications

Food Industry	Chemical Industry	Atomic Energy	Manufacturing Industry
Automation Industry	Thermal Power Energy	Process Industry	Water Treatment Industry

**ELECTRONET EQUIPMENTS PVT. LTD.**

Factory Address: Plot No. 8, (SEZ) Phase 1, Kesurdi MIDC, Khandala, Dist.- Satara Pin: 412 801, Maharashtra, India.

Registered Office: Plot No. 84, 85, 86, Tiny Industrial Estate, Kondhwa Budruk, Pune-411 048, Maharashtra, India.

+91-20-26931476/2039 ho@eeplindia.com +91-20-26934122 www.eeplindia.com

