

LCT - 01

CAPACITANCE LEVEL TRANSMITTER

Features

- Protection class IP-65
- Trouble free operation of conductive / non conductive Liquids, slurries
- Two Wire System
- 4-20mA DC Output

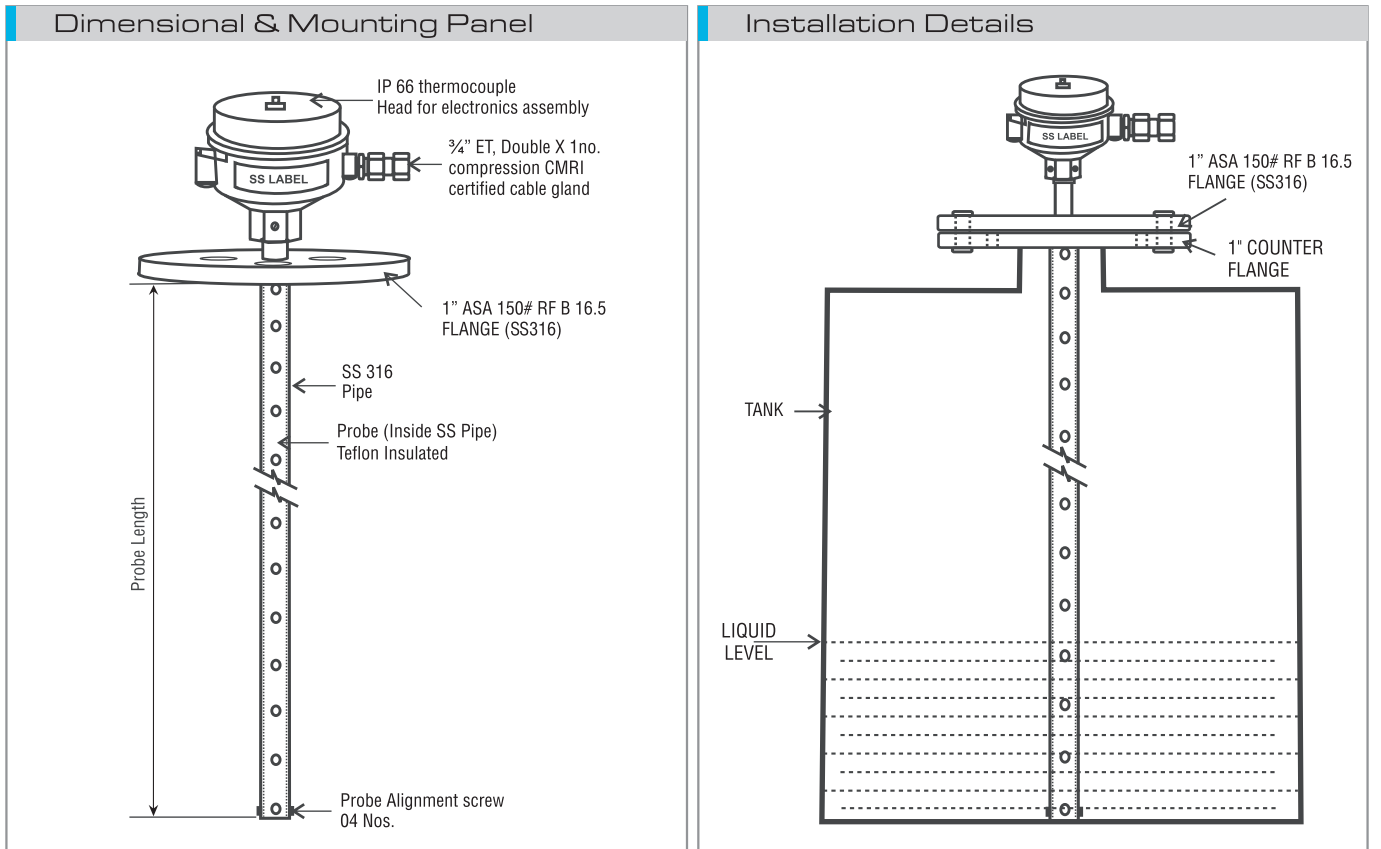
Description

Electronet series LCT-01 are capacitance type level transmitters. Vessel wall & probe forms two electrodes. If vessel is of non conductive material, the probe will be double rod type. The distance between electrode & surface area of electrodes remain unchanged. The variable is the depth of the material being measured which represents the dielectric constant between two electrodes. Air & vacuum have relative dielectric constant as 1 & that of liquids, it is greater than 1. The capacitance of the capacitor therefore depends on how much material lies between the probe & vessel wall i.e. Whether the probe is covered with or free from material. The capacitor changes with change in level of the material & provides corresponding 4-20 mA DC continuous output.



Technical Specifications

Probe Length	1) Upto 2 mtr. -Rod Type
Measuring Range	2) From 2 mtr. to 15 mtr. - Rope type
Type of Output	1) 4 to 20 mA DC, 2 Wire
	2) 0 - 5 V DC
Accuracy	+/- 1% F. S.
Linearity	+/- 1%
Process Temperature	100°C max
Process Pressure	10 kg/cm ² max
Probe MOC	SS316
Power Supply	24 V DC, External
Power Consumption	< 6 VA
Response Time	< 1000 mSec
Temperature Coefficient	+/- 0.01% per °C
Transmitter Enclosure	IP-65
Process Connection	1) 1" BSP Threaded 2) 1" ASA 150, Flanged
Mounting	Top of the tank
Operating Conditions	Temperature 0 to 75°C / Humidity 5 to 95% non condensing at 25°C
OPTIONAL	
Local Display	8 x 1 LCD (4 Digit)



Ordering Information

Sample Order Code : 02D-07A-21B-22A-24A-26Y-27A-66E-84B

Parameter	Code	Value	Parameter	Code	Value				
02	Measuring Range	02A	300 mm	24	Power Supply	24A	90 – 250 VAC		
		02B	1000 mm			24B	24 VDC		
		02C	2000 mm	26	Local Indication	26A	Required		
		02D	3000 mm			26Y	None		
		07	Area Classification	07A	Weather Proof	27	Local Indication Display Type	27A	LED
				07B	Flame Proof			27B	LCD
		21	Electrical Connection	21A	M20 X 1.5	66	Process Connection	66A	Threaded
				21B	1/2" NPTF			66B	Flanged
21X	Other			66E	Tri Clover				
22	MOC Electronics Enclosure	22A	Die Cast Aluminium	84	Probe Type	84A	Single Rod		
		22B	SS316			84B	Coaxial		
		22C	ABS Plastic			84C	Rope Type		

Note : • Due to our continuous product revisions, design specification and model numbers are subject to change without notice.
 • Accuracy defined at Lab Conditions.
 • For other requirement please consult factory.

ELECTRONET EQUIPMENTS PVT. LTD.

Factory Address: Plot No. 8, (SEZ) Phase 1, Kesurdi MIDC, Khandala, Dist.- Satara, Pin: 412 801, Maharashtra, India.

Registered Office: Plot No. 84, 85, 86, Tiny Industrial Estate, Kondhwa Budruk, Pune-411 048, Maharashtra, India.

+91-20-26931476/2039 ho@eeplindia.com +91-20-26934122 www.eeplindia.com

